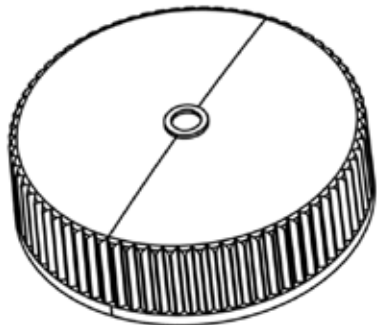
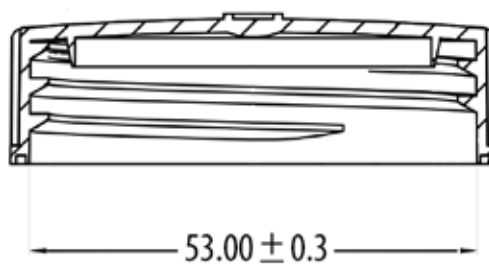
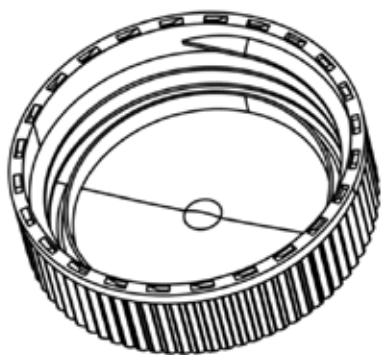
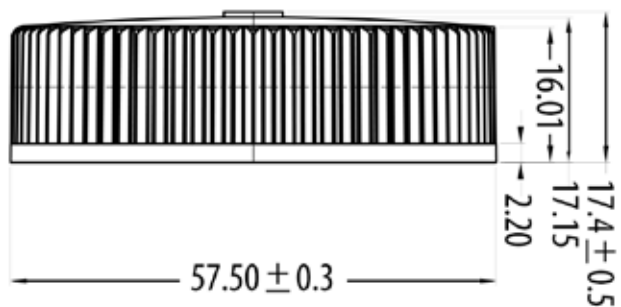


QEC Part No. 0053-415QPP **53mm Polypropylene Q-Seal™ Cap**



Designed to fit Q-Seal™ container:
0212-Q034 1000mL HDPE Oblong

THIS DRAWING CONTAINS CONFIDENTIAL INFORMATION AND
MAY NOT BE REPRODUCED IN WHOLE OR IN PART
WITHOUT WRITTEN AUTHORIZATION.

QEC QUALITY ENVIRONMENTAL CONTAINERS
800.255.3950 • www.qecusa.com

POLYPROPYLENE 53-415 CLOSURE
WITH INNER SEAL RING

REVISION 3: 04.23.2018