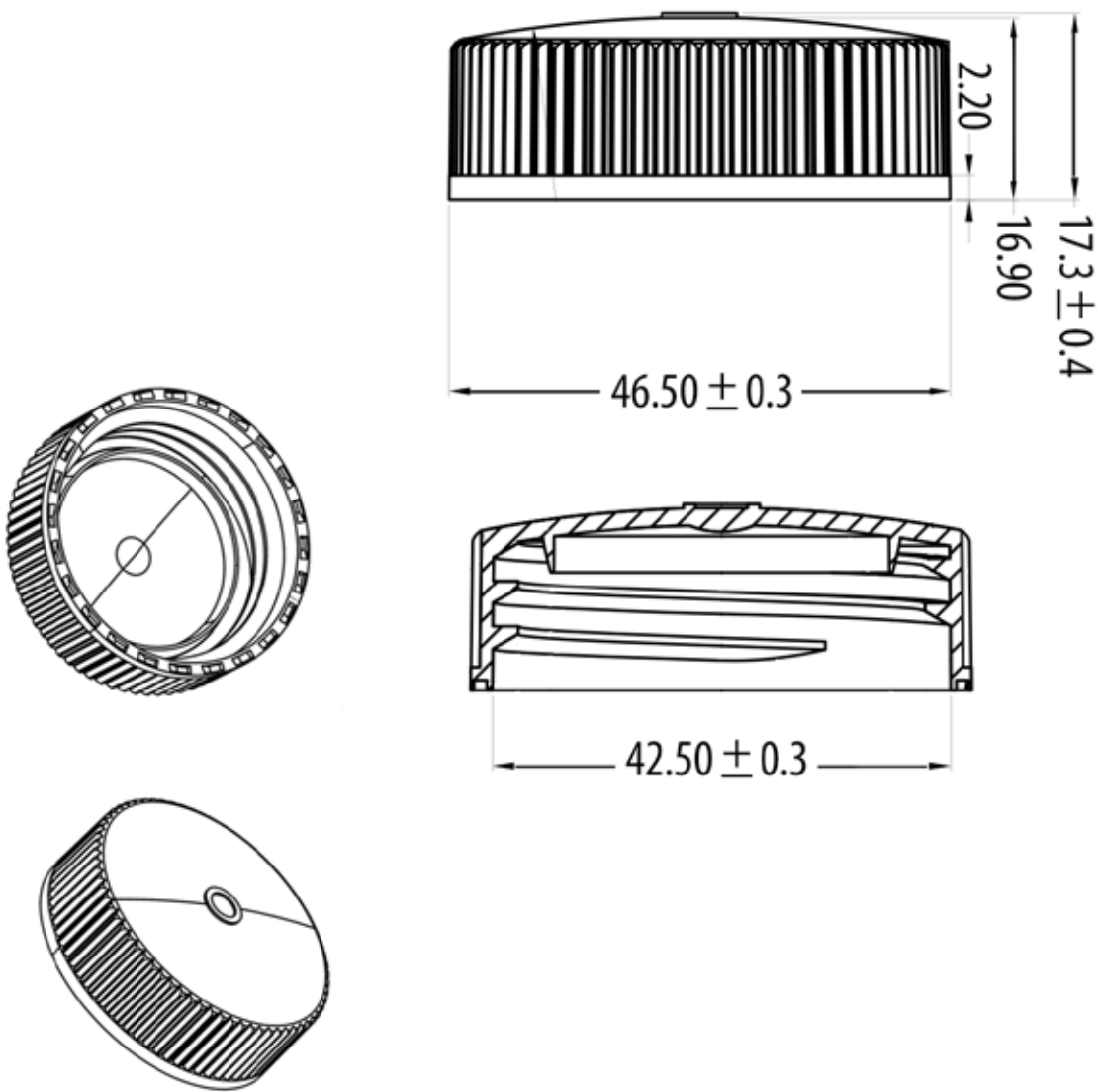


QEC Part No. 0043-415QPP **43mm Polypropylene Q-Seal™ Cap**



Designed to fit Q-Seal™ containers:

0212-Q008 250mL HDPE Oblong

0212-Q016 500mL HDPE Oblong

THIS DRAWING CONTAINS CONFIDENTIAL INFORMATION AND  
MAY NOT BE REPRODUCED IN WHOLE OR IN PART  
WITHOUT WRITTEN AUTHORIZATION.

**QEC** QUALITY ENVIRONMENTAL CONTAINERS  
800.255.3950 • [www.qecusa.com](http://www.qecusa.com)

POLYPROPYLENE 43-415 CLOSURE  
WITH INNER SEAL RING

REVISION 3: 04.23.2018