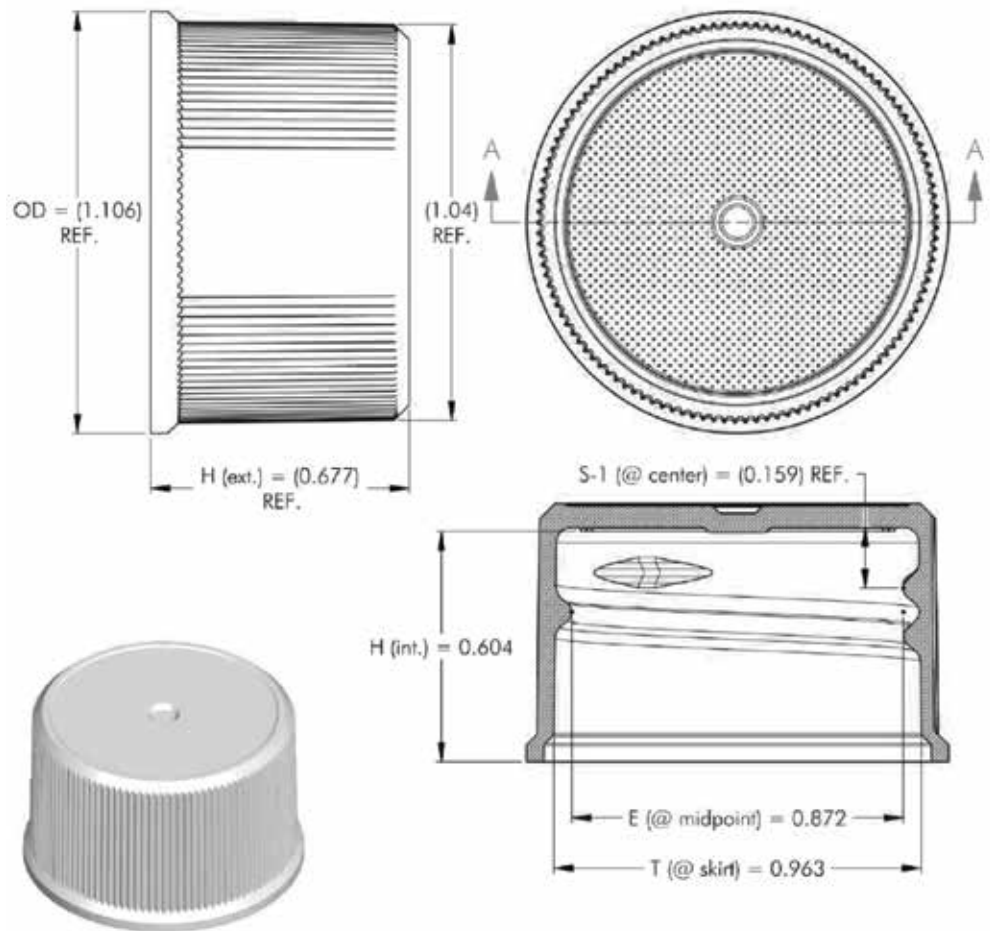


QEC Part No. 0P24-410 **24mm Foam-lined Polypropylene Cap**



SureSeal® Foam Liners:

(not shown in drawings)

- One piece, three-ply coextruded liner. Single polymeric product – no ply separation.
- Low density polyethylene skin top and bottom with foamed polyolefin core.
- Symmetrical construction - either side serves as the liner face.
- Good resistance to acids, alkalies, slow solvents, alcohols, oils and aqueous products (poor resistance to active hydrocarbon solvents).
- Excellent sealability, resiliency and compression recovery. Excellent torque retention.

Available in: White (QEC # 0P24-410W)

THIS DRAWING CONTAINS CONFIDENTIAL INFORMATION AND MAY NOT BE REPRODUCED IN WHOLE OR IN PART WITHOUT WRITTEN AUTHORIZATION.

QEC QUALITY ENVIRONMENTAL CONTAINERS
800.255.3950 • www.qecusa.com

POLYPROPYLENE 24-410 CLOSURE
FINE RIB / CHAMFERED TOP / MATTE FINISH
0.035" FOAM LINER INSERTED

REVISION 5 - 07.11.2004