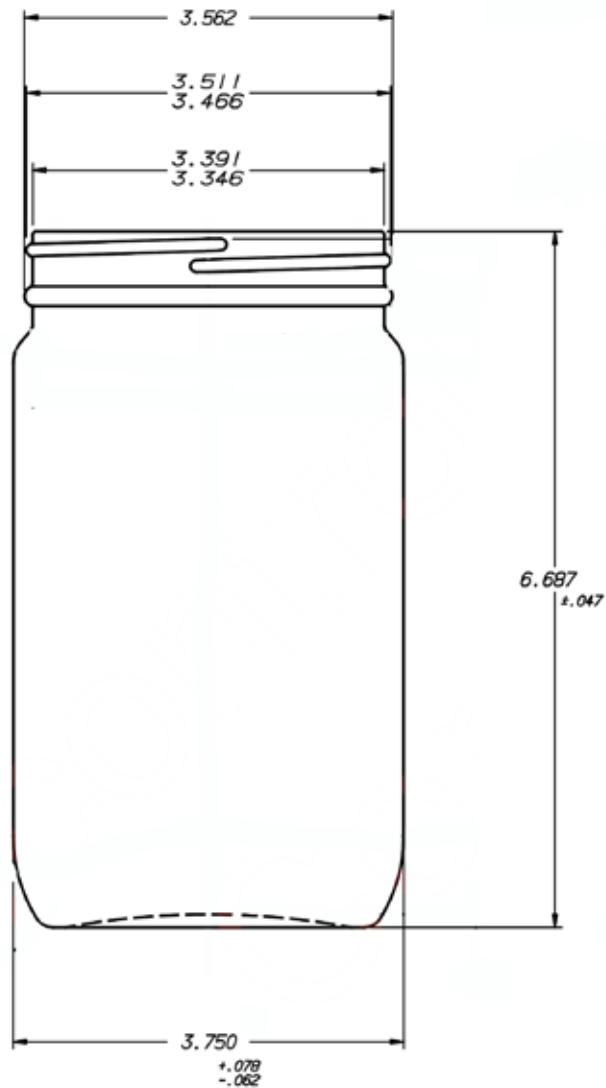


QEC Part No. 0124-0032 **32 oz. Amber Straight-Side Jar**



Available Closures:

Unlined 89mm Polypropylene Cap (white)	QEC # 1089-400W
Unlined 89mm Polypropylene Cap (red)	QEC # 1089-400R
Unlined 89mm Polypropylene Cap (yellow)	QEC # 1089-400Y
PTFE-lined 89mm Polypropylene Cap (white)	QEC # 1T89-400W
PTFE-lined 89mm Polypropylene Cap (red)	QEC # 1T89-400R
PTFE-lined 89mm Polypropylene Cap (yellow)	QEC # 1T89-400Y
Foam-lined 89mm Polypropylene Cap (white)	QEC # 1P89-400W

THIS DRAWING CONTAINS CONFIDENTIAL INFORMATION AND MAY NOT BE REPRODUCED IN WHOLE OR IN PART WITHOUT WRITTEN AUTHORIZATION.

QEC QUALITY ENVIRONMENTAL CONTAINERS
800.255.3950 • www.qecusa.com

32OZ / 1000ML AMBER STRAIGHT-SIDE JAR
FINISH: 89-400

REVISION F - 12.19.2014